

# Water Year 2009

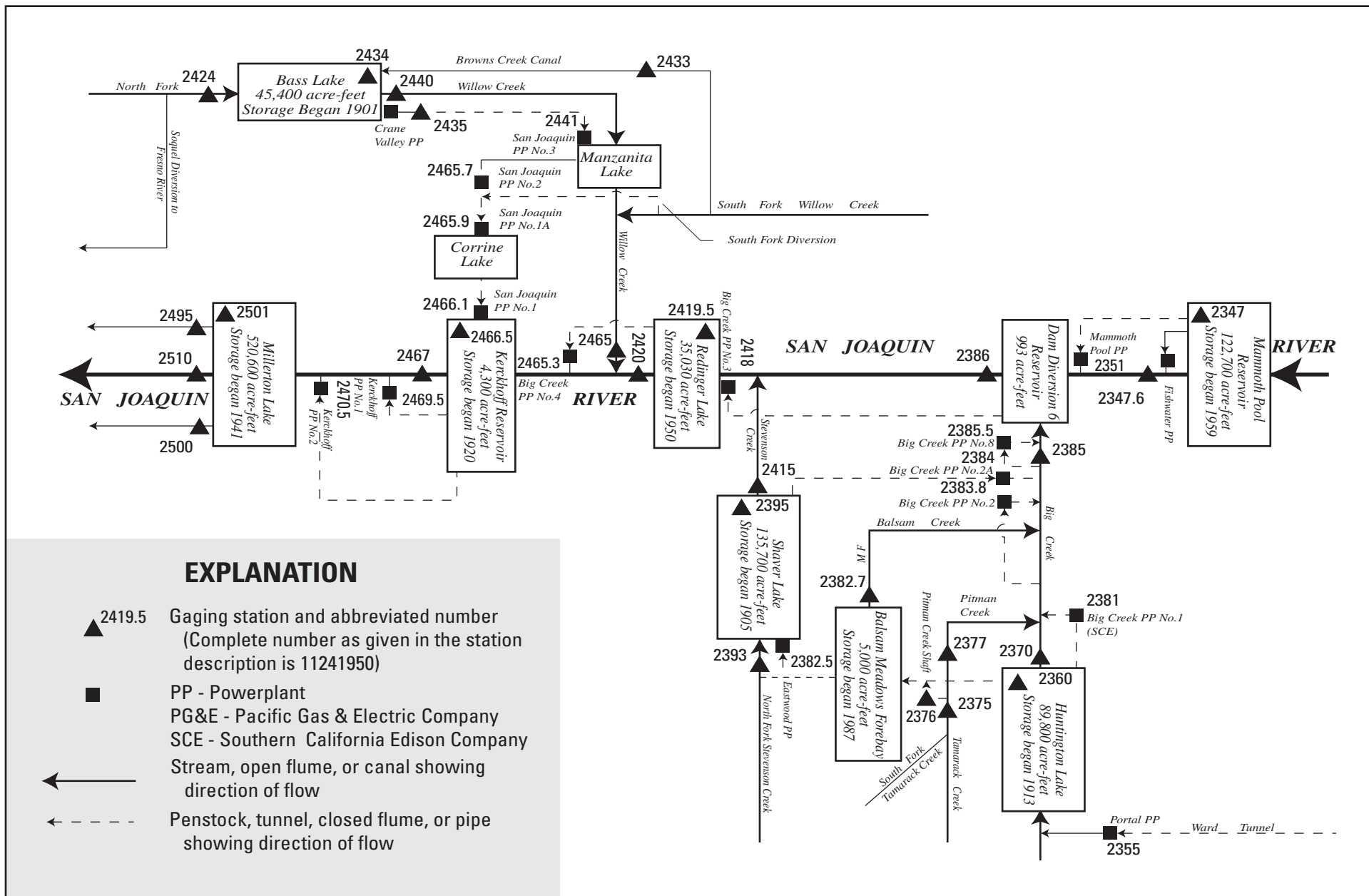


Figure showing diversions and storage in lower San Joaquin River Basin.