

Water Year 2007

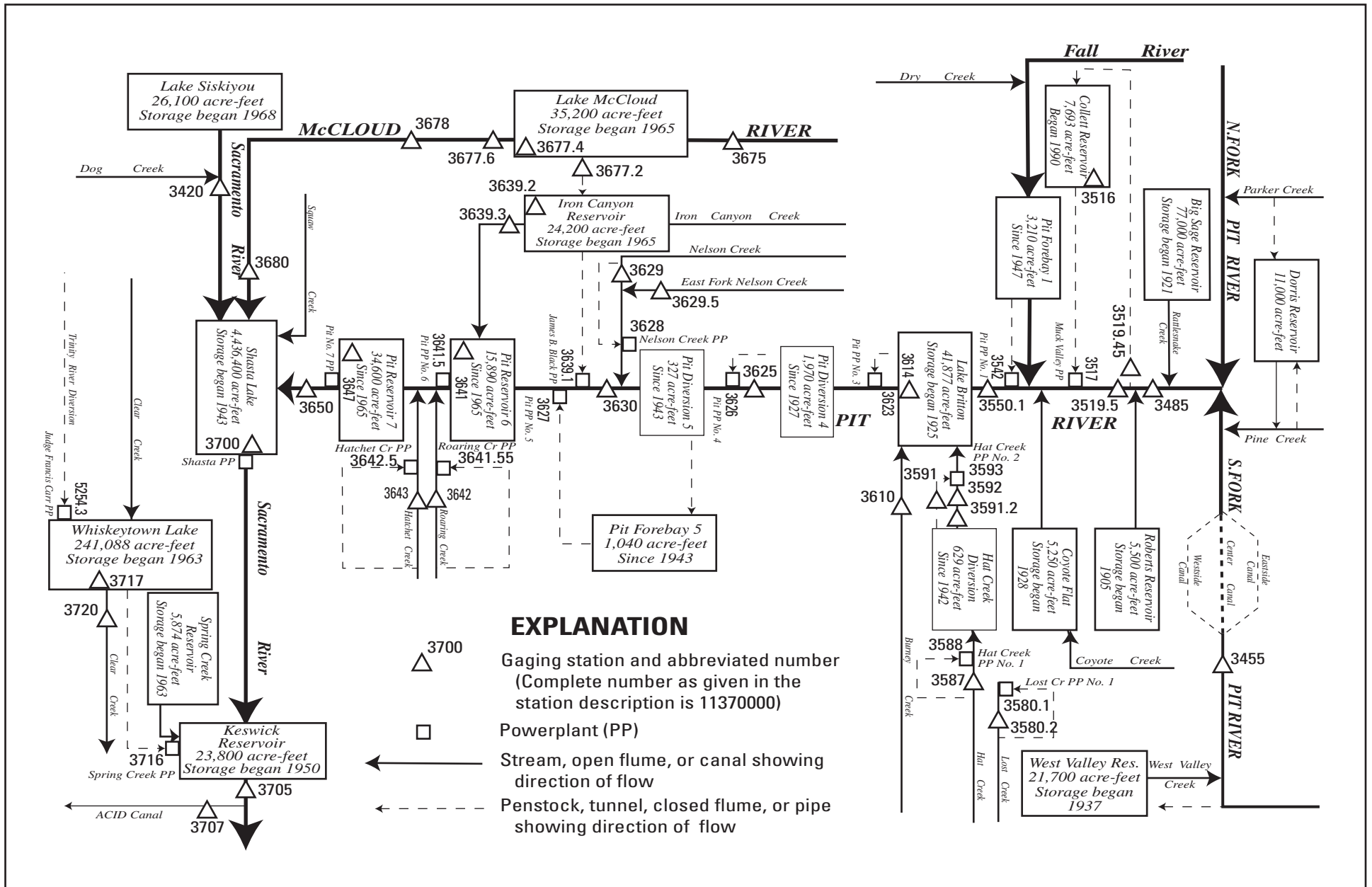


Figure showing diversions and storage in Pit and McCloud River Basins.